

**TECHNICAL DATA****Operating range:**

from 0.6 to 5.4 m<sup>3</sup>/h with head up to 54 metres.

**Liquid quality requirements:** clean, free from solid or abrasive contaminants, non-viscous, non-aggressive, uncrystallised and chemically neutral.

**Liquid temperature range:** from 0°C to +35°C for domestic use (EN 60335-2-41).

**Maximum ambient temperature:** +40°C

**Maximum operating pressure:** 6 bar (600 kPa)

**Maximum suction depth:** 8 metres.

**Installation:** fixed in a horizontal position.

**Special executions on request:** alternative voltages and/or frequencies.

**Motor protection rating:** IP 44

**Terminal block protection rating:** IP 55

**Insulation class:** F

**Standard input voltage:** single phase 220/240 V / 50 Hz  
three phase 230/400 V - 50 Hz

**APPLICATIONS**

Self priming centrifugal pump with excellent suction capacity even in the presence of air bubbles.

Suitable for pumping water with low levels of sandy impurities.

Especially used in domestic water supply installations. Suitable for small farms and gardening, small scale industrial services and where self priming is necessary.

**CONSTRUCTIONAL FEATURES OF THE PUMP**

Pump body in technopolymer and motor support in die cast aluminium.

Impeller, diffuser, venturi tube and sand guard in technopolymer

Stainless steel wear ring.

Carbon/ceramic mechanical seal.

**CONSTRUCTIONAL FEATURES OF THE MOTOR**

Asynchronous type, closed, with external air cooling.

Rotor mounted on oversized greased-for-life ball bearings, to guarantee low noise and long life.

Incorporated thermo-amperometric protection and permanently inserted capacitor in the single phase version.

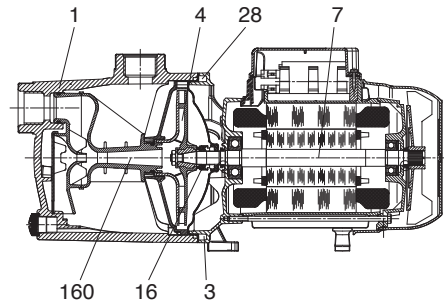
It is recommended to use overload protection for three phase motor protection, in compliance with current legislation.

Manufactured pursuant to CEI 2-3 and CEI 61-69 (EN 60335-2-41).

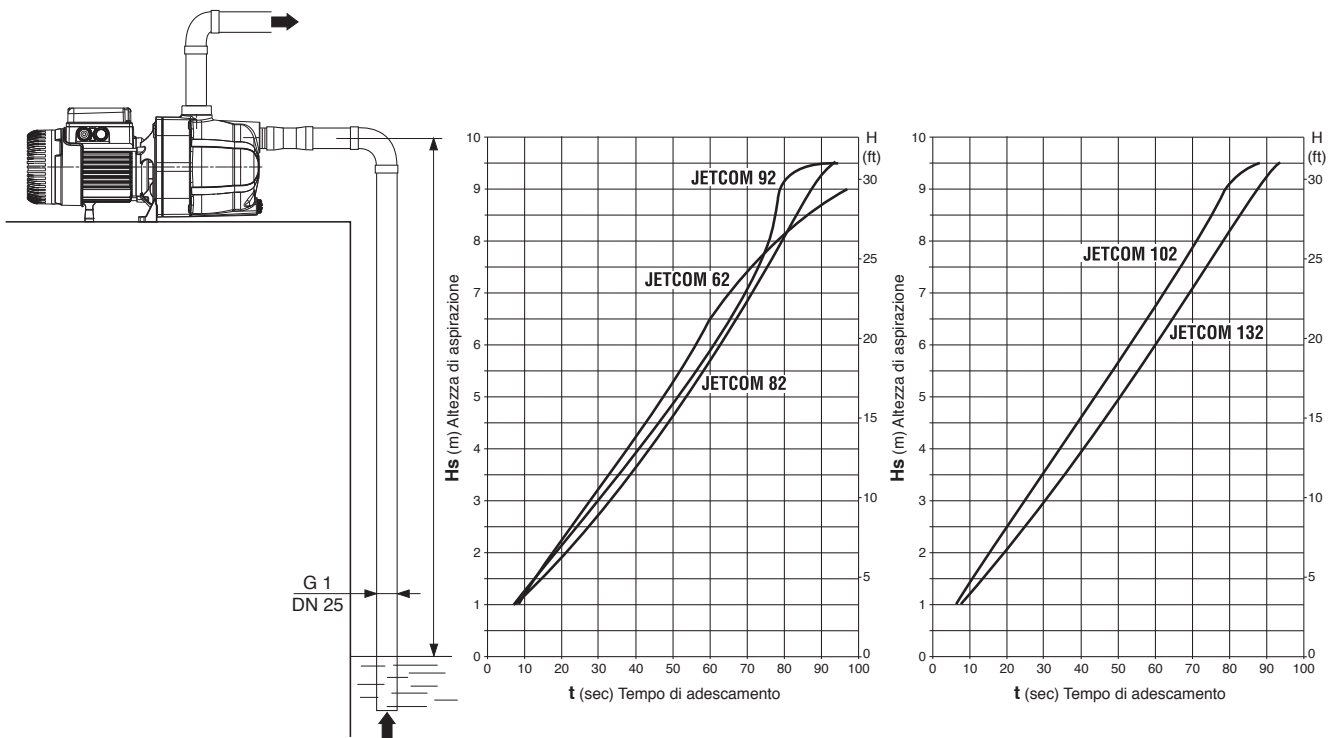
### MATERIALS

| N°  | PARTS *                       | MATERIALS  |
|-----|-------------------------------|--|
| 1   | PUMP BODY                     | TECHNOPOLYMER A  |
| 4   | IMPELLER                      | TECHNOPOLYMER A  |
| 7   | SHAFT WITH ROTOR              | AISI 416 STAINLESS STEEL<br>X12 CrS13 - UNI 6900/71    |
| 16  | MECHANICAL SEAL               | CARBON/CERAMIC   |
| 28  | OR GASKET                     | NBR RUBBER   |
| 36  | SEAL HOLDER COVER             | AISI 304 STAINLESS STEEL<br>X5 CRNi 1810 - UNI 6900/71 |
| 160 | VENTURI DIFFUSER NOZZEL GROUP | TECHNOPOLYMER A  |

\* In contact with liquid



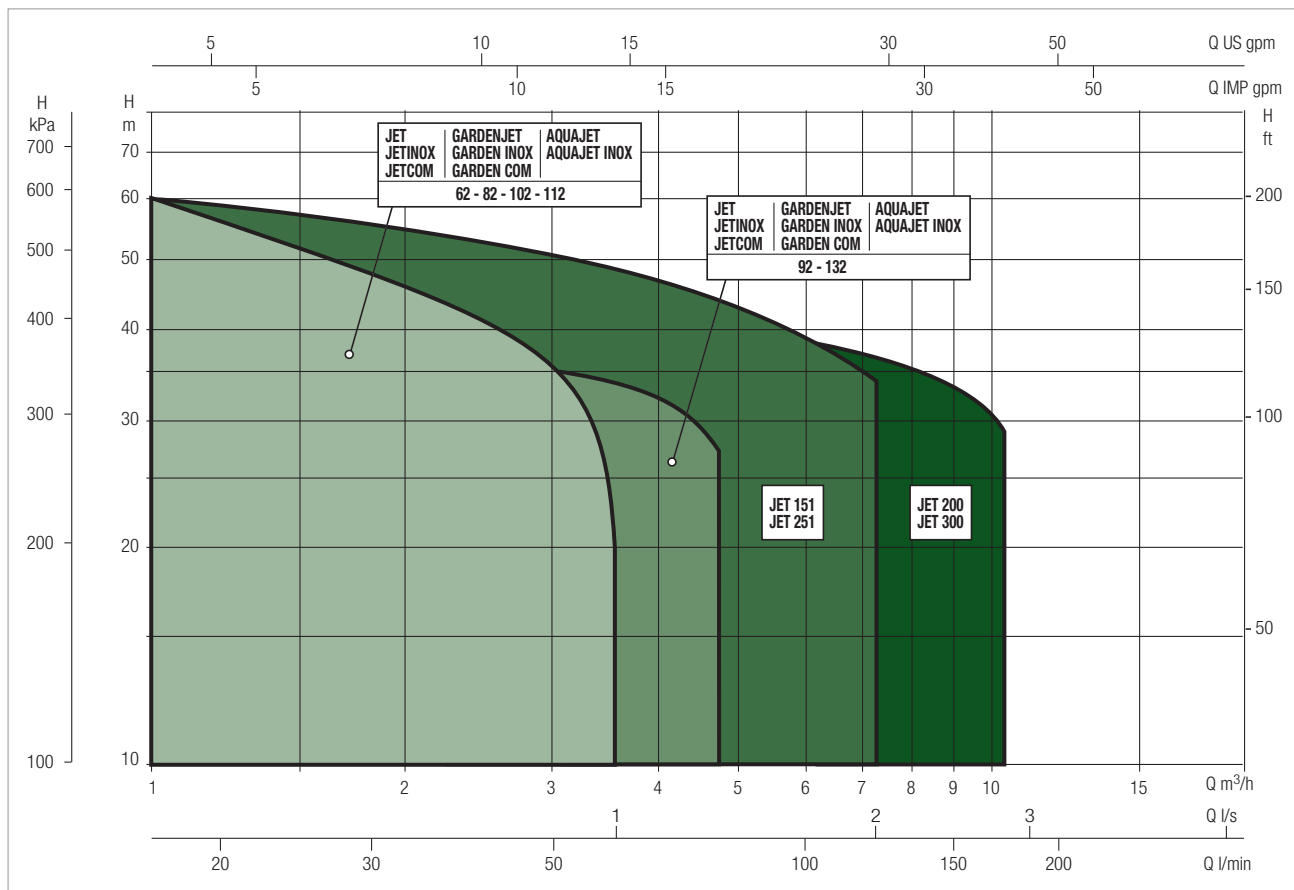
### SELF PRIMING CAPACITY



### PERFORMANCE RANGE

The performance curves are based on kinematic viscosity values = 1 mm<sup>2</sup>/s and density equivalent to 1000 kg/m<sup>3</sup>. Curve tolerance according to ISO 9906.

### GRAPHIC SELECTION TABLE

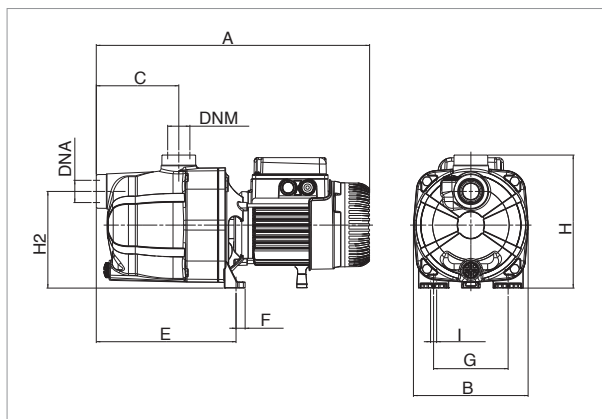


### JETCOM SELECTION TABLE

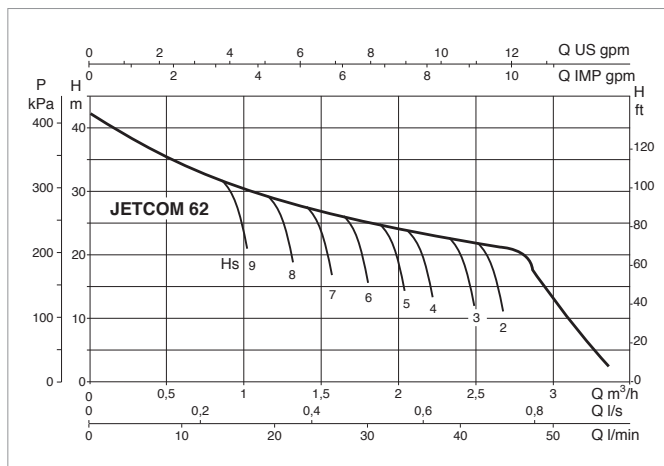
| MODEL        | Q=m <sup>3</sup> /h | 0    | 0.6  | 1.2  | 1.8  | 2.4  | 3.0  | 3.6  | 4.2  | 4.8  |
|--------------|---------------------|------|------|------|------|------|------|------|------|------|
|              | Q=l/min             | 0    | 10   | 20   | 30   | 40   | 50   | 60   | 70   | 80   |
| JETCOM 62 M  | H (m)               | 42   | 35   | 29.2 | 25.6 | 22.9 | 13   |      |      |      |
| JETCOM 82 M  |                     | 47   | 40   | 34   | 30   | 26.2 | 23.5 | 20   |      |      |
| JETCOM 102 M |                     | 53.8 | 47   | 41   | 36.3 | 32.4 | 28.8 | 25.8 |      |      |
| JETCOM 102 T |                     | 53.8 | 47   | 41   | 36.3 | 32.4 | 28.8 | 25.8 |      |      |
| JETCOM 92 M  |                     | 36.2 | 33.5 | 31   | 28.4 | 26   | 24   | 21.8 | 19.6 | 17.5 |
| JETCOM 132 M |                     | 48.3 | 45.6 | 42.8 | 40   | 37.6 | 35   | 32.5 | 30   | 27.2 |
| JETCOM 132 T |                     | 48.3 | 45.6 | 42.8 | 40   | 37.6 | 35   | 32.5 | 30   | 27.2 |

## JETCOM 62-SELF-PRIMING CENTRIFUGAL ELECTRIC PUMPS FOR DOMESTIC WATER SUPPLY

Liquid temperature range pumped: from 0 °C to +35 °C - Maximum ambient temperature: +40°C



The performance curves are based on the kinematic viscosity values = 1 mm<sup>2</sup>/s and density equivalent to 1000 kg/m<sup>3</sup>. Curve tolerance according to ISO 9906.

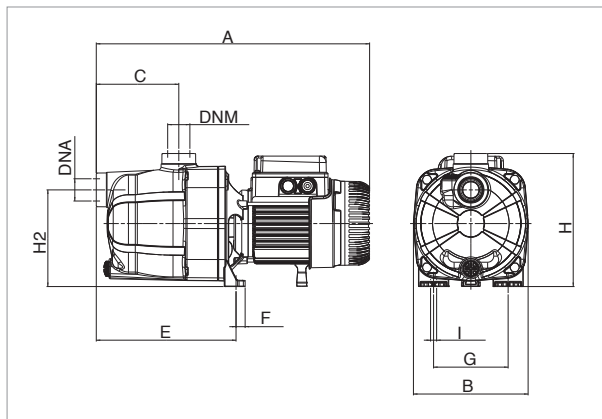


| MODEL       | ELECTRICAL DATA       |              |            |     |         |           |     |
|-------------|-----------------------|--------------|------------|-----|---------|-----------|-----|
|             | POWER SUPPLY<br>50 Hz | P1<br>MAX kW | P2 NOMINAL |     | In<br>A | CAPACITOR |     |
|             |                       |              | kW         | HP  |         | µF        | Vc  |
| JETCOM 62 M | 1x220-240 V ~         | 0.72         | 0.44       | 0.6 | 3.12    | 12.5      | 450 |

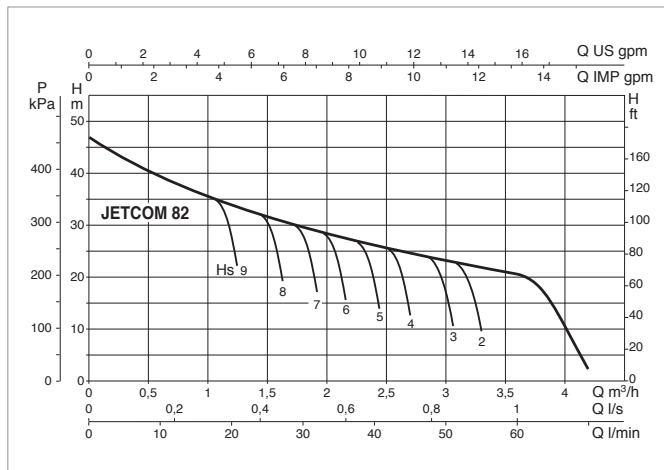
| MODEL     | A   | B   | C   | E   | F  | G   | H   | H1 | H2  | I Ø | L | DNA<br>GAS | DNM<br>GAS | PACK DIMENSIONS |     |     | VOLUME<br>(mc) | GROSS<br>WEIGHT<br>Kg |
|-----------|-----|-----|-----|-----|----|-----|-----|----|-----|-----|---|------------|------------|-----------------|-----|-----|----------------|-----------------------|
|           |     |     |     |     |    |     |     |    |     |     |   |            |            | L/A             | L/B | H   |                |                       |
| JETCOM 62 | 406 | 170 | 122 | 208 | 14 | 111 | 198 | -  | 144 | 9   | - | 1"         | 1"         | 470             | 240 | 240 | 0.027          | 7.5                   |

## JETCOM 82-SELF-PRIMING CENTRIFUGAL ELECTRIC PUMPS FOR DOMESTIC WATER SUPPLY

Liquid temperature range pumped: from 0 °C to +35 °C - Maximum ambient temperature: +40°C



The performance curves are based on the kinematic viscosity values = 1 mm<sup>2</sup>/s and density equivalent to 1000 kg/m<sup>3</sup>. Curve tolerance according to ISO 9906.

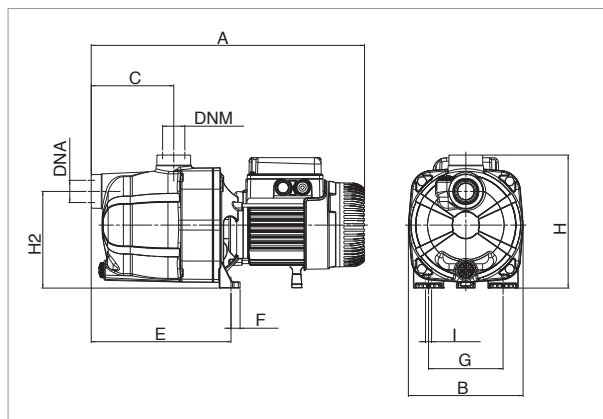


| MODEL       | ELECTRICAL DATA       |              |            |     |         |           |     |
|-------------|-----------------------|--------------|------------|-----|---------|-----------|-----|
|             | POWER SUPPLY<br>50 Hz | P1<br>MAX kW | P2 NOMINAL |     | In<br>A | CAPACITOR |     |
|             |                       |              | kW         | HP  |         | µF        | Vc  |
| JETCOM 82 M | 1x220-240 V ~         | 0.85         | 0.6        | 0.8 | 3.8     | 12.5      | 450 |

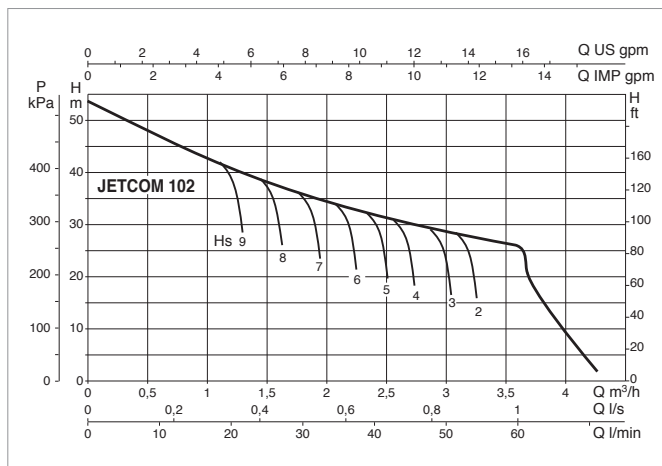
| MODEL     | A   | B   | C   | E   | F  | G   | H   | H1 | H2  | I Ø | L | DNA<br>GAS | DNM<br>GAS | PACK DIMENSIONS |     |     | VOLUME<br>(mc) | GROSS<br>WEIGHT<br>Kg |
|-----------|-----|-----|-----|-----|----|-----|-----|----|-----|-----|---|------------|------------|-----------------|-----|-----|----------------|-----------------------|
|           |     |     |     |     |    |     |     |    |     |     |   |            |            | L/A             | L/B | H   |                |                       |
| JETCOM 82 | 406 | 170 | 122 | 208 | 14 | 111 | 198 | -  | 144 | 9   | - | 1"         | 1"         | 470             | 240 | 240 | 0.027          | 7.7                   |

## JET 102 - SELF-PRIMING CENTRIFUGAL ELECTRIC PUMPS FOR DOMESTIC WATER SUPPLY

Liquid temperature range pumped: from 0 °C to +35 °C - Maximum ambient temperature: +40°C



The performance curves are based on the kinematic viscosity values = 1 mm<sup>2</sup>/s and density equivalent to 1000 kg/m<sup>3</sup>. Curve tolerance according to ISO 9906.

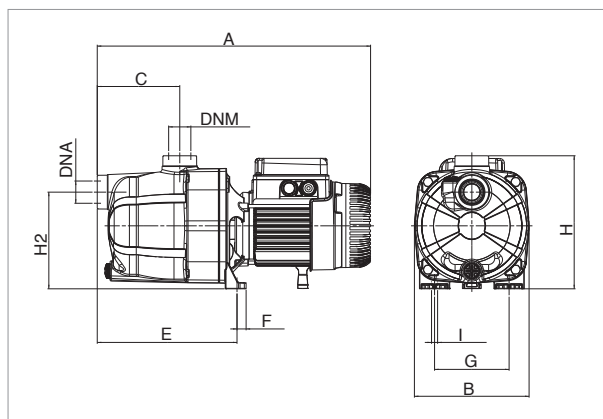


| MODEL        | ELECTRICAL DATA       |              |            |    |         |           |     |
|--------------|-----------------------|--------------|------------|----|---------|-----------|-----|
|              | POWER SUPPLY<br>50 Hz | P1<br>MAX kW | P2 NOMINAL |    | In<br>A | CAPACITOR |     |
|              |                       |              | kW         | HP |         | µF        | Vc  |
| JETCOM 102 M | 1x220-240 V ~         | 1.13         | 0.75       | 1  | 5.1     | 16        | 450 |
| JETCOM 102 T | 3x230-400 V ~         | 1.04         | 0.75       | 1  | 3.3-1.9 | -         | -   |

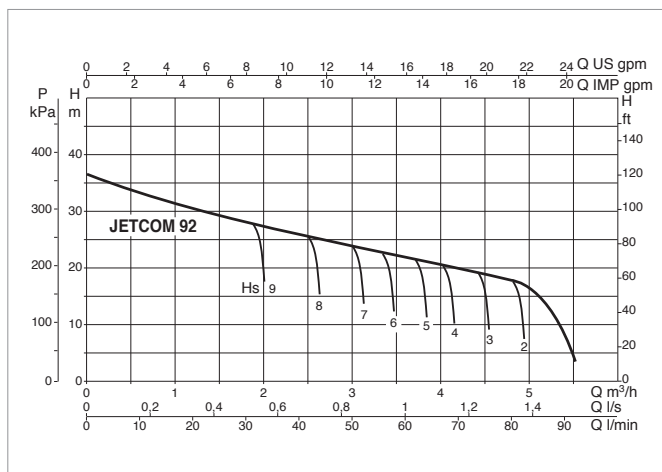
| MODEL      | A   | B   | C   | E   | F  | G   | H   | H1 | H2  | I Ø | L | DNA<br>GAS | DNM<br>GAS | PACK DIMENSIONS |     |     | VOLUME<br>(mc) | GROSS<br>WEIGHT<br>Kg |
|------------|-----|-----|-----|-----|----|-----|-----|----|-----|-----|---|------------|------------|-----------------|-----|-----|----------------|-----------------------|
|            |     |     |     |     |    |     |     |    |     |     |   |            |            | L/A             | L/B | H   |                |                       |
| JETCOM 102 | 425 | 170 | 122 | 208 | 14 | 111 | 203 | -  | 144 | 9   | - | 1"         | 1"         | 470             | 240 | 240 | 0.027          | 9.5                   |

## JETCOM 92-SELF-PRIMING CENTRIFUGAL ELECTRIC PUMPS FOR DOMESTIC WATER SUPPLY

Liquid temperature range pumped: from 0 °C to +35 °C - Maximum ambient temperature: +40°C



The performance curves are based on the kinematic viscosity values = 1 mm<sup>2</sup>/s and density equivalent to 1000 kg/m<sup>3</sup>. Curve tolerance according to ISO 9906.

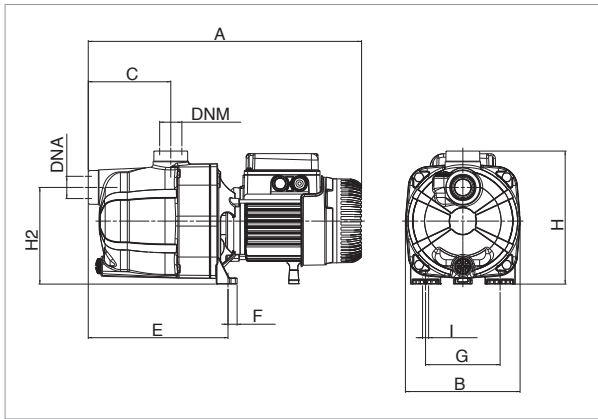


| MODEL       | ELECTRICAL DATA       |              |            |    |         |           |     |
|-------------|-----------------------|--------------|------------|----|---------|-----------|-----|
|             | POWER SUPPLY<br>50 Hz | P1<br>MAX kW | P2 NOMINAL |    | In<br>A | CAPACITOR |     |
|             |                       |              | kW         | HP |         | µF        | Vc  |
| JETCOM 92 M | 1x220-240 V ~         | 0.94         | 0.75       | 1  | 4.2     | 14        | 450 |

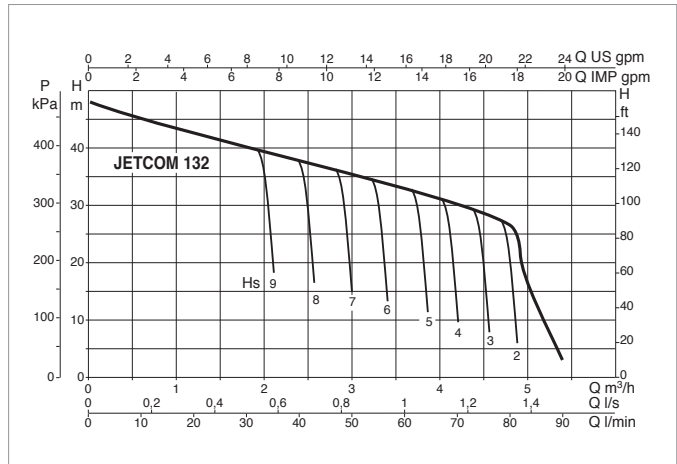
| MODEL     | A   | B   | C   | E   | F  | G   | H   | H1 | H2  | I Ø | L | DNA<br>GAS | DNM<br>GAS | PACK DIMENSIONS |     |     | VOLUME<br>(mc) | GROSS<br>WEIGHT<br>Kg |
|-----------|-----|-----|-----|-----|----|-----|-----|----|-----|-----|---|------------|------------|-----------------|-----|-----|----------------|-----------------------|
|           |     |     |     |     |    |     |     |    |     |     |   |            |            | L/A             | L/B | H   |                |                       |
| JETCOM 92 | 425 | 170 | 122 | 208 | 14 | 111 | 203 | -  | 144 | 9   | - | 1"         | 1"         | 470             | 240 | 240 | 0.027          | 8.7                   |

# JET 132 - SELF-PRIMING CENTRIFUGAL ELECTRIC PUMPS FOR DOMESTIC WATER SUPPLY

Liquid temperature range pumped: from 0 °C to +35 °C - Maximum ambient temperature: +40°C



The performance curves are based on the kinematic viscosity values = 1 mm<sup>2</sup>/s and density equivalent to 1000 kg/m<sup>3</sup>. Curve tolerance according to ISO 9906.



| MODEL        | ELECTRICAL DATA       |              |            |      |         |           |     |
|--------------|-----------------------|--------------|------------|------|---------|-----------|-----|
|              | POWER SUPPLY<br>50 Hz | P1<br>MAX kW | P2 NOMINAL |      | In<br>A | CAPACITOR |     |
|              |                       |              | kW         | HP   |         | µF        | Vc  |
| JETCOM 132 M | 1x220-240 V ~         | 1.49         | 1          | 1.36 | 6.6     | 25        | 450 |
| JETCOM 132 T | 3x230-400 V ~         | 1.43         | 1          | 1.36 | 4.7-2.7 | -         | -   |

| MODEL        | A   | B   | C   | E   | F  | G   | H   | H1 | H2  | I Ø | L | DNA<br>GAS | DNM<br>GAS | PACK DIMENSIONS |     |     | VOLUME<br>(mc) | GROSS<br>WEIGHT<br>Kg |
|--------------|-----|-----|-----|-----|----|-----|-----|----|-----|-----|---|------------|------------|-----------------|-----|-----|----------------|-----------------------|
|              |     |     |     |     |    |     |     |    |     |     |   |            |            | L/A             | L/B | H   |                |                       |
| JETCOM 132 M | 425 | 170 | 122 | 208 | 14 | 111 | 203 | -  | 144 | 9   | - | 1"         | 1"         | 470             | 240 | 240 | 0.027          | 10.5                  |
| JETCOM 132 T | 441 | 170 | 122 | 208 | 14 | 111 | 203 | -  | 144 | 9   | - | 1"         | 1"         | 470             | 240 | 240 | 0.027          | 12.6                  |